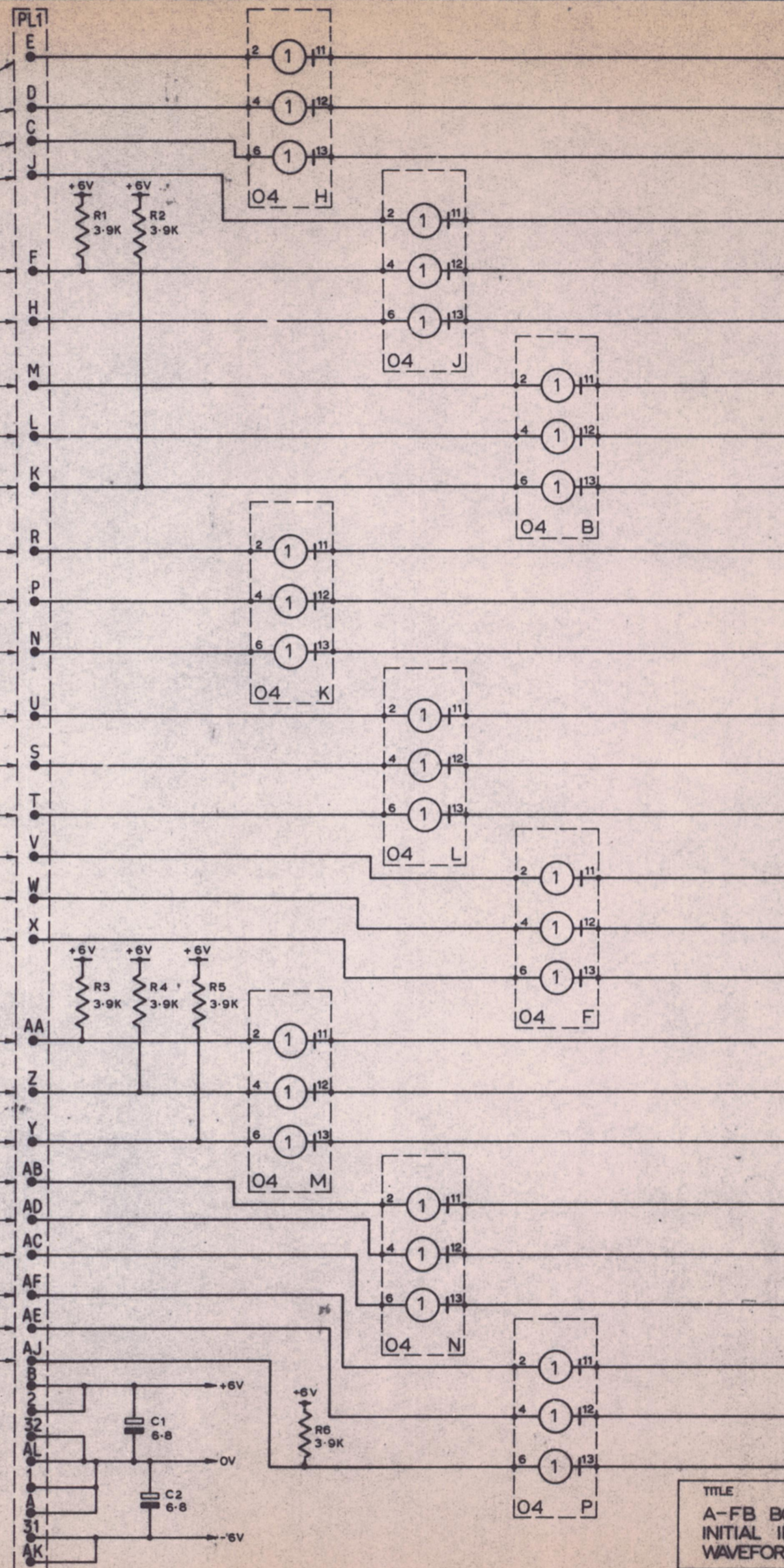


USED ON  
C 4019

BD POSN	W/F	SOURCE	IMMEDIATE CONNECTIONS
8	AA2m	10/D	10/4
9	TNGAm	19/W	
34			
8	ETJm	15/J	
9	XTFm	12/J	
34			
8	FTGm	11/F	11/6
9	PTG1-m	10/P	11/P
34			
8	VTGm	15/H	
9	JTPCm	11/H	
34			
8	WFRm	19/M	
9	CLEARm	11/M	
34			
8	READm	11/L	
9	YTXm	12/M	12/11
34			
8	WRITEm	11/K	
9	WFPm	10/J	11/J
34			
8	MTIm	19/R	
9	RTGm	12/R	
34	II2m	35/R	36/R
8	CTEm	19/P	
9	MTFm	12/P	12/13
34	II1m	35/P	36/P
8	ITFm	11/N	11/12
9	PTG2-m	10/N	
34	II17m	35/AH	36/AH
8	OTJm	13/S	
9	KTJm	13/U	
34	II5m	35/U	36/U
8	K1m	18/S	19/S
9	SZ1-m	10/S	11/S
34	II3m	35/S	36/S
8	TXQ1m	14/AA	
9	K2m	13/T	
34	II4m	35/T	36/T
8	OTXm	12/X	
9	TM12-m	10/U	
34	II6m	35/V	36/V
8	TM18m	15/T	
34	II8m	35/X	36/X
8	GTMm	11/AA	
9	OTMm	13/Z	10/AA
34	II11m	35/AA	36/AA
8	TM11m	10/T	
9	MTPm	10/Z	11/Z
34	II10m	35/Z	36/Z
8	WTMm	19/Y	
9	ATFm	11/Y	
34	II9m	35/Y	36/Y
8	DTF2m	15/AC	
9	1TPCm	11/AD	
34	II14m	35/AD	36/AD
8	GTJm	11/AF	11/28
9			
34	II16m	35/AF	36/AF
8	MTFm	11/AJ	11/30
9	QTFm	11/AJ	11/29
34	II18m	35/AJ	36/AJ



BD POSN	W/F	FINAL DEST.	IMMEDIATE CONNECTIONS
8	AA3	21/E	
9	TM13	7/7	
34			
8	AA1	21/C	
9	TXM18	7/3	
34			
8	ETJa	22/12	
9	XTF	57/J	
34			
8	FTGa	47/C	
9	PTGa	47/K	
34			
8	VTGa	4/4	47/P
9	JTPCa	47/AA	5/4
34			
8	WFRa	5/N	
9	CLEAR	57/R	
34			
8	READ	57/P	
9	YTX	5/9	
34			
8	WRITE	57/N	
9	WFP	4/K	
34			
8	MTIa	5/12	
9	RTGa	47/E	
34	II2	55/25	
8	DTE	3/8	
9	MTFa	47/W	
34	II1	56/25	
8	PTGa	47/M	
34	II17	38/25	
8	OTJa	5/M	
9	KTJa	6/AF	
34	II5	52/25	
8	K1	6/24	
9	SZ1	30/J	
34	II3	54/25	
8	TXQ1	7/16	5/F
9	K2	6/20	
34	II4	53/25	
8	OTXa	5/E	
9	TM12	7/14	
34	II6	51/25	
8	TM12, TM13	6/U	
9	TPCO	22/W	
34	II7	50/25	
8	TM18	7/8	
34	II8	49/25	
8	GTMa	46/W	
9	OTMa	46/S	
34	II11	44/25	
8	TM11	7/22	
9	MTPa	46/Y	47/Y
34	II10	45/25	
8	WTMa	4/6	46/U
9	ATFa	47/AC	
34	II9	48/25	
8	GTGa	46/AC	
9	JTFa	47/5	
34	II12	43/25	
8	DTF2a	37/29	41/29
9	1TPCa	5/D	
34	II14	41/25	
8	DTFa	5/S	
9	LTGa	47/H	
34	II13	42/25	
8	GTJa	46/P	
9			
34	II16	39/25	
8	GTAa	46/AA	
9	PTR	3/28	
34	II15	40/25	
8	MTFa	47/U	
9	QTFa	47/AB	
34	II18	37/25	

TITLE  
A-FB BOARD POS 8,9,34,  
INITIAL INSTRUCTIONS  
WAVEFORM AMPLIFIERS

8

LATEST MI INCORPORATED: MI 2993 2998

ISSUE No.	2
ALTN. No.	1740
DATE	21.8.58
INITIALS	J.E.
PARTS LIST No.	
DRAWN	D&D
CHECKED	CS 608
APPROVED	
DATE	7.11.66

MATERIAL	FINISH	ELLIOTT BROTHERS (LONDON), LTD
© Elliott Brothers (London) Limited THIS DRAWING IS THE PROPERTY OF ELLIOTT BROTHERS (LONDON) LIMITED AND MAY NOT BE COPIED, REPRODUCED, OR DISCLOSED FOR ANY PURPOSE EXCEPT AS AUTHORIZED BY WRITERS OF ELLIOTT BROTHERS (LONDON) LIMITED		TOLERANCES DECIMAL ± FRACTIONAL ± ANGULAR DIMENSIONS ± UNLESS OTHERWISE STATED
TITLE A-FB BOARD POS 8,9,34, INITIAL INSTRUCTIONS WAVEFORM AMPLIFIERS		SCALE DRAWING No. 322D 5225